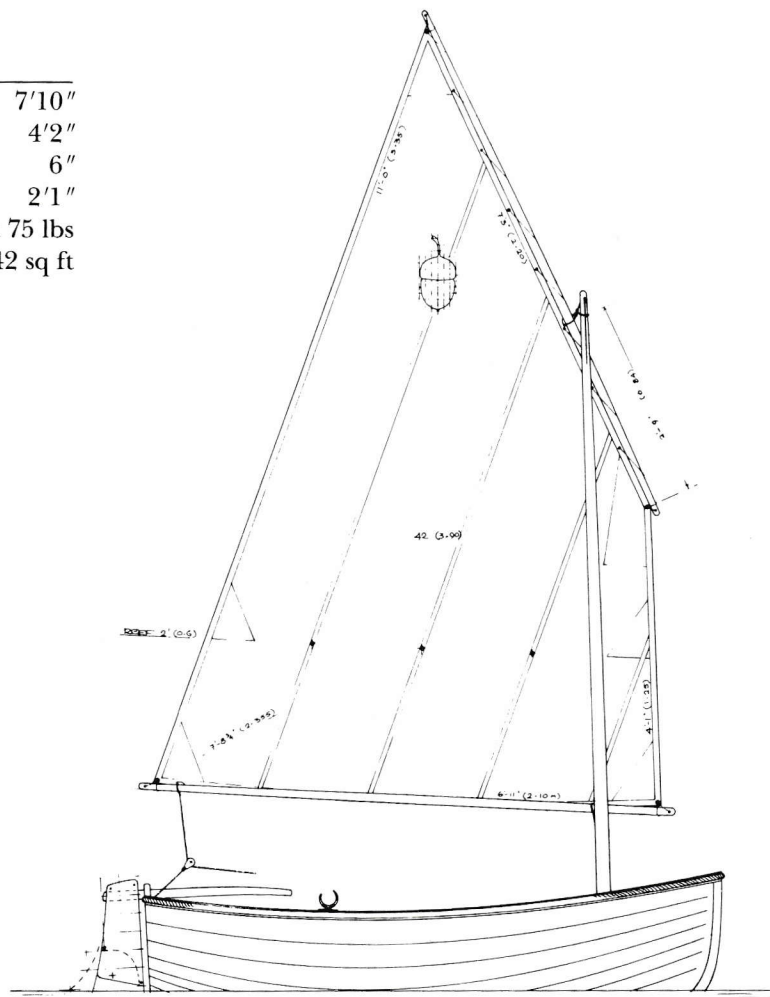


7'10" Acorn Tender

by Iain Oughtred

PARTICULARS

LOA	7'10"
Beam	4'2"
Draft (db up)	6"
(db down)	2'1"
Weight	about 75 lbs
Sail area	42 sq ft



This sweet-lined tender is the smallest in Iain Oughtred's design series of Acorn skiffs and dinghies. She is sufficiently burdensome to be useful as a general-purpose shuttle from ship to shore; she is also handsome and light enough to be carried on deck or in davits aboard the mother yacht. And what is more, her overall length can be shortened to suit—from 7'10" to 7'7" or 7'5", as needed and as per plans.

Like other Oughtred design offerings, the Acorn tender may be built traditionally of solid lumber to heavier specifications. But the preferred and featured building method here is frameless, glued-seam, lapstrake plywood construction—an excellent system for amateurs in particular, and an efficient procedure for lapstrake small craft in general. The dimensionally stable plywood allows boats to be kept ashore for long periods without drying out, and the frameless interior makes maintenance easier.

Consistent, too, with his other designs, Oughtred's

tender allows for multiple choices in other areas. This boat may be set up for sail with either a standing- or balanced-lug rig, a leeboard or daggerboard, and a fixed or pivoting rudder; or she can be outfitted for oars and outboard only.

The Acorn 8 can be constructed without lofting, using standard sheets of marine plywood. She can be finished plain or fancy, according to taste and role requirements. There is no keen technical skill required, since all the necessary information from building the jig and constructing the hull to the final fitting out, is contained in Oughtred's packet of plans.

This packet consists of four sheets: lines, construction, sail, and full-sized patterns for plank lands and major parts. Included as well are detailed construction notes, a tools list and materials schedule, and a 14-page booklet illustrating the plywood building procedure. There are also recommendations and data regarding conventional construction. WB Plan No. 87. \$70.00

Plan
DESCR
Hull ty
Rig: St
Constru
PERFO
*Suitable
*Intende
Trailera
*See page 78