

HUNTER



**Committed
to Better
Engineering**

CRUISE PAC®

Due to our "Commitment to Better Engineering", Hunter Marine reserves the right to modify or change, without notice, any equipment, materials or specifications.

HUNTER 23

RIGGING – Dacron sails: main and 100% genoa; Two jib sheet winches; Halyard winch; Internal halyards; Mainsheet traveler; Inboard sheeting; Aluminum mast and boom; Cunningham; **DECK** – Bow pulpit, stainless steel; Lifelines; Mooring cleat; Teak handrails; On deck anchor well/Sail locker; Cockpit seat lockers; Molded-in non-skid; Opening sea hood; **ELECTRICAL** – 12 volt battery; Interior lights; Running lights; Steaming light; **CABIN** – Fabric cushions; Dinette table; Selected hardwood trim; Teak & holly cabin sole; Tinted slider hatch; Portable head; **GALLEY** – Sink; Stove; Fresh water tank; **AUXILIARY POWER** – Outboard motor bracket; **Outboard motor**; **GENERAL SAFETY GROUP** – Anchor and line; Life jackets; Signal horn; Throwable device; Bilge pump, manual; Chapman's *Piloting, Seamanship, and Small Boat Handling*; **TRANSPORTATION** – Galvanized trailer with tongue jack.

HUNTER 25.5 (Preliminary)

RIGGING – Dacron sails; Main, Furling 110% genoa; Jiffy reefing, main; Sheets; Two, self-tailing jib sheet winches; Halyard winch; Double standing sheet stopper; Double line organizer; Internal halyards pre-stretched dacron; Mainsheet traveler; Inboard genoa tracks with cars; Aluminum mast and boom; Windex®; **DECK** – Molded in non-skid; Opening sea hood; Bow pulpit, stainless steel; Stern rail, stainless steel; Life lines and stainless steel stanchions; Mooring cleats; Hand rails; On deck anchor well; **COCKPIT** – Laminated wood tiller; Cockpit seat lockers; Fuel tank recess; Walk-thru transom; **ELECTRICAL** – 12 volt battery and cabin lights, European running lights; Mast steaming light; **CABIN** – Selected hardwood trim; Teak and holly cabin sole; Tinted forward hatch; Tinted slider hatch; Dinette table; Portable toilet; Vanity with mirror; Fabric cushions; **GALLEY** – Stainless steel sink; Fresh water pump; 2 burner stove; High pressure laminated counter top; Icebox; Fresh water tank – 23 gallons, 87 liters; **AUXILIARY POWER** – Outboard motor bracket; **Outboard motor**; **GENERAL SAFETY GROUP** – Anchor and line; Life jackets; Signal horn; Throwable device; Fire extinguisher; Chapman's *Piloting, Seamanship, and Small Boat Handling*

HUNTER 28.5

RIGGING – Patented B&R Rig (No. 3862613); Dacron sails; Main and 110% genoa; Jiffy reefing, main; Sheets; Two, two-speed sheet winches (self-tailing); Halyard winch; Double standing sheet stopper; Double line organizer; Internal halyards, pre-stretched dacron; Midboom sheeting; Mainsheet traveler; Inboard recessed genoa tracks with cars; Aluminum mast and boom; Windex®; **DECK** – Bow pulpit, stainless steel; Stern rail, stainless steel; Stainless steel swim ladder; Double lifelines; Mooring cleats; Teak handrails; On-deck anchor well; Cockpit seat lockers; Molded-in non-skid deck; **COCKPIT** – T-shaped cockpit; Pedestal steering, w/engine controls and lighted compass; Wraparound coamings; Contoured helmsman seat; **ELECTRICAL** – 12 volt battery; European running lights; Bilge pump, automatic; 110 volt dockside power with 50' (15.2m) cord; Multiple AC outlets in cabin; Mast steaming light and anchor light; Cabin lights; **CABIN** – Aft cabin; Satin finished selected hardwood trim; Polyurethane finished teak and holly cabin sole; Opening ports; Curtains; Tinted forward hatch; Tinted slider hatch; Tinted mid-cabin vent hatch; Dinette table; 2 hanging lockers; Fully enclosed head with mirror; Pressure water in lavatory; Shower; Vanity in head; Navigator's station; Chart table light; Fabric cushions; **GALLEY** – Stainless steel sink; Hot and cold pressure water system; 2 burner stove; High pressure laminated counter top; Icebox; Fresh water tank, Gallons 27.0, Liters 102.2; **AUXILIARY POWER** – Diesel engine, fresh water cooled; Fuel tank, Gallons 11.5, Liters 43.5; **GENERAL SAFETY GROUP** – Anchor and line; Life jackets; Signal horn; Throwable device; 2 fire extinguishers; Emergency tiller; Chapman's *Piloting, Seamanship, and Small Boat Handling*

HUNTER 31

RIGGING – Patented B&R Rig (No. 3862613); Dacron sails; Main and 110% genoa; Jiffy reefing, main; Sheets; Two, two-speed sheet winches (self-tailing); Mainsheet winch; Halyard winch; Double standing sheet stopper; Double line organizer; Internal halyards, pre-stretched dacron; Mainsheet stopper; Midboom sheeting; Mainsheet traveler; Inboard recessed genoa tracks with cars; Aluminum mast and boom; Windex®; **DECK** – Bow pulpit, stainless steel; Stern rail, stainless steel; Stainless steel swim ladder; Double lifelines; Mooring cleats; Teak handrails; On-deck anchor well; Cockpit seat lockers; Molded-in non-skid deck; **COCKPIT** – T-shaped cockpit; Pedestal steering, w/engine controls and lighted compass; Contoured helmsman seat; **ELECTRICAL** – Dual 12 volt battery w/switch; European running lights; Bilge pump, automatic; 110 volt dockside power with 50' (15.2m) cord; Multiple AC outlets in cabin; Mast steaming light and anchor light; Cabin lights; **CABIN** – Satin finished selected hardwood trim; Polyurethane finished teak and holly cabin sole; Opening ports; Curtains; Tinted forward hatch; Tinted slider hatch; Tinted mid-cabin vent hatch; Dinette table; 2 full hanging lockers; Fully enclosed head with mirror; Pressure water in lavatory; Shower; Vanity in head; Navigator's station; Chart table light; Fabric cushions; **GALLEY** – Stainless steel sink; Hot and cold pressure water system; Gimballed 2 burner stove w/oven; High pressure laminated countertop; Icebox; Fresh water tank, Gallons 35.0, Liters 182.5; **AUXILIARY POWER** – Diesel engine, fresh water cooled; Fuel tank, Gallons 18.0, Liters 68.13; **GENERAL SAFETY GROUP** – Anchor and line; Life jackets; Signal horn; Throwable device; 2 fire extinguishers; Emergency tiller, Chapman's *Piloting, Seamanship, and Small Boat Handling*

HUNTER 35 (Preliminary)

RIGGING – Dacron sails; Main with Dutchman™ Sail Flaking System, Furling 110% genoa; Jiffy reefing, main; Sheets; Two, two-speed sheet winches (self-tailing); Two self-tailing halyard winches; Five standing sheet stoppers; Triple line organizers; Internal halyards, pre-stretched dacron; Midboom sheeting; Mainsheet traveler; Inboard recessed genoa tracks with cars; Aluminum mast and boom; Windex®; **DECK** – Bow pulpit, stainless steel; Stern rail, stainless steel, Stainless steel swim ladder; Double lifelines; Mooring cleats; Stainless steel handrails; On-deck anchor well; Flush

mounted cabin skylights; Cockpit seat lockers; Molded-in non-skid deck; **COCKPIT** - T-shape cockpit; Walk-thru transom; Pedestal steering, w/engine controls and lighted compass; Brake; Wraparound coamings; Contoured helmsman seat; **ELECTRICAL** - Dual 12 volt battery w/switch; European running lights; Bilge pump, automatic; 110 volt dockside power with 50' (15.2m) cord; Multiple AC outlets in cabin; Mast steaming light and anchor light; Cabin lights; **CABIN** - Aft cabin, Satin finished selected hardwood trim; Polyurethane finished teak and holly cabin sole; Opening ports; Curtains; Tinted forward hatch; Tinted slider hatch; Tinted mid-cabin vent hatch; Dinette table; 2 full hanging lockers; Fully enclosed head with mirror; Pressure water in lavatory; Shower; Vanities with Corian® countertops in the head and forward stateroom; Navigator's station; Chart table light; Fabric cushions; **ENTERTAINMENT CENTER** - Color TV; Video cassette player; AM/FM cassette stereo; **GALLEY** - Stainless steel sink; Hot and cold pressure water system; Gimballed 2 burner CNG stove w/broiler; High pressure laminated countertop; Icebox; Fresh water tank, Gallons 64.0, Liters 242; **AUXILIARY POWER** - Diesel engine, fresh water cooled; Fuel tank, Gallons 25.0, Liters 94.6; **GENERAL SAFETY GROUP** - Anchor and line; Life jackets; Signal horn; Throwable device; 2 fire extinguishers; Emergency tiller, Chapman's *Piloting, Seamanship, and Small Boat Handling*

HUNTER 37 (Preliminary)

RIGGING - Dacron sails; Main with Dutchman™ Sail Flaking System, Furling 110% genoa; Jiffy reefing, main; Sheets; Two, two-speed sheet winches (self-tailing); Two two-speed halyard winches (self-tailing); Sheet stoppers; Triple line organizers (2); Internal halyards, pre-stretched dacron; Mainsheet traveler; Inboard recessed genoa tracks with cars; Aluminum mast and boom; Windex®; **ELECTRONICS** - VHF radio; Digital knotmeter; Digital depthfinder; **DECK** - Bow pulpit, stainless steel; Stern rail, stainless steel; Stainless steel swim ladder; Double lifelines; Mooring cleats; Stainless steel handrails; On-deck anchor well; Flush mounted cabin skylights; Cockpit seat lockers; Molded-in non-skid deck; **COCKPIT** - T-shaped cockpit; Walk-thru transom; Pedestal steering, w/engine controls and lighted compass; Pedestal guard; Brake; Wraparound coamings; Contoured helmsman seat; **ELECTRICAL** - Dual 12 volt battery w/switch; Battery charger; European running lights; Bilge pump, automatic; 110 volt dockside power with 50' (15.2m) cord; Multiple AC outlets in cabin; Mast steaming light and anchor light; Cabin lights; **CABIN** - Aft cabin with large double bed; Satin finished selected hardwood trim; Polyurethane finished teak and holly cabin sole; Opening ports; Curtains; Tinted forward hatch; Tinted slider hatch; Tinted mid-cabin vent hatches; Dinette table; 3 full hanging lockers; Fully enclosed head with stall shower; Pressure water in lavatory; Vanities with Corian® countertops in the head and forward stateroom; Navigator's station; Chart table light; Fabric cushions; **ENTERTAINMENT CENTER** - Color TV; Video cassette player; AM/FM cassette stereo; **GALLEY** - Stainless steel double sink; Hot and cold pressure water system; Gimballed 2 burner CNG stove w/broiler; Microwave oven; High pressure laminated countertop; Icebox; Fresh water tank, Gallons 71.5, Liters 270.6; **AUXILIARY POWER** - Diesel engine, fresh water cooled; Fuel tank, Gallons 33.0, Liters 125.0; **GENERAL SAFETY GROUP** - Anchor and line; Life jackets; Signal horn; Throwable device; 2 fire extinguishers; Emergency tiller, Chapman's *Piloting, Seamanship, and Small Boat Handling*

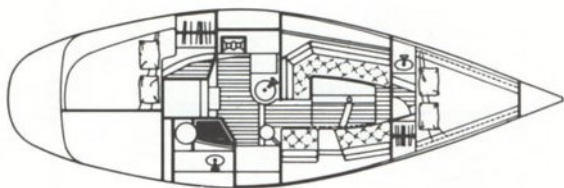
HUNTER 40

RIGGING - Patented B&R Rig (No. 3862613); Dacron sails; Main, Furling 110% genoa; Jiffy reefing, main; Sheets; Two, two-speed sheet winches (self-tailing); Two two-speed halyard winches (self-tailing); Sheet Stoppers; Triple line organizers (2); Internal halyards, pre-stretched dacron; Mainsheet traveler; Boom vang; Inboard recessed genoa tracks with cars; Aluminum mast and boom; Windex®; **ELECTRONICS** - VHF radio; Digital knotmeter; Digital depthfinder; **DECK** - Bow pulpit, stainless steel; Stern rail, stainless steel; Stainless steel swim ladder; Stainless steel fender rack; Double lifelines; Mooring cleats; Teak handrails; On-deck anchor well; Cockpit seat lockers; Molded-in non-skid deck; Seahood with instrument mounting pod; **COCKPIT** - T-shaped cockpit; Pedestal steering, w/engine controls and lighted compass; Pedestal guard w/table; Brake; Wraparound coamings; **ELECTRICAL** - Dual 12 volt battery w/switch; Battery charger; European running lights; Bilge pump, automatic; 110 volt dockside power with 50' (15.2m) cord; Multiple AC outlets in cabin; Mast steaming light and anchor light; Cabin lights; **CABIN** - Large double bed in aft cabin; Vanity in aft cabin; AM/FM/cassette stereo w/4 speakers; 2 fully enclosed heads w/showers; Satin finished selected hardwood trim; Polyurethane finished teak and holly cabin sole; Aluminum opening ports; Curtains; Tinted forward hatch; Tinted slider hatch; Tinted mid-cabin vent hatches; 3 full hanging lockers; Manual bilge pump; Pressure water; Vanity in head; Navigator's station; Chart table light; Fabric cushions; **GALLEY** - Stainless steel double sink; Hot & cold pressure water system; Saltwater pump; Gimballed 3 burner CNG stove w/oven; High pressure laminated counter top; Refrigerator; Ice box; Fresh water tank; Gallons 105; Liters 397.5; **AUXILIARY POWER** - Diesel engine, fresh water cooled; Fuel tank, Gallons 38.0, Liters 143.8; **GENERAL SAFETY GROUP** - Anchor and line; Life jackets; Signal horn; Throwable device; 2 fire extinguishers; Emergency tiller, Chapman's *Piloting, Seamanship, and Small Boat Handling*

HUNTER 45

RIGGING - Patented B&R Rig (No. 3862613); Dacron sails; Main, Furling 110% genoa; Jiffy reefing, main; Sheets; Two, two-speed sheet winches (self-tailing); Two, two-speed secondary winches; Two, two-speed halyard winches (self-tailing); Sheet Stoppers; Line organizers (2); Internal halyards, pre-stretched dacron; Mainsheet traveler; Boom Vang; Inboard recessed genoa tracks with cars; Aluminum mast and boom; Windex®; **ELECTRONICS** - VHF radio; Loran; Digital knotmeter; Digital depthfinder; Digital windspeed; Navstation repeater; **DECK** - Anchor windlass mounted in on-deck anchor well; Bow pulpit, stainless steel; Stern rail, stainless steel; Stainless steel swim ladder; Stainless steel fender rack; Double lifelines; Mooring cleats; Stainless steel handrails; Flush wraparound tinted windows; Cockpit seat lockers; Molded-in non-skid deck; CNG cylinder well; Sea hood with instrument mounting pod; **COCKPIT** - T-shaped cockpit; Pedestal steering, w/engine controls and lighted compass; Pedestal guard; Brake; Stowage for an 8 man life raft; Wraparound coamings; **ELECTRICAL** - 3.8 kw generator; Dual 12 volt battery w/switch; Battery charger; European running lights; Bilge pump, automatic; 110 volt dockside power with 50' (15.2m) cord; Multiple AC outlets in cabin; Mast steaming light and anchor light; Cabin lights; **CABIN** - Large aft cabin; Foreward master stateroom; Curtains; AM/FM/cassette stereo w/6 speakers; 2 fully enclosed heads, Aft head with shower stall; Satin finished selected hardwood trim; Polyurethane finished teak and holly cabin sole; Navigator's station with flush mounted instruments and chart light; Writing desk; Stainless steel opening ports; Tinted slider hatch; Tinted mid-cabin vent hatches; 3 full hanging lockers; Manual bilge pump; Pressure water; Vanities with Corian™ countertops in the aft head and forward stateroom; Fabric cushions; Sail locker forward; **GALLEY** - Stainless steel double sink; Hot and cold pressure water system; Salt water pump; Gimballed 3 burner CNG stove w/oven; Microwave; High pressure laminated countertop; Icebox; Refrigeration; Fresh water tank, Gallons 124.0, Liters 469; **AUXILIARY POWER** - Diesel engine, fresh water cooled; Fuel tank, Gallons 47, Liters 178; **GENERAL SAFETY GROUP** - Anchor and line; Life jackets; Signal horn; Throwable device; 2 fire extinguishers; Emergency tiller, Chapman's *Piloting, Seamanship, and Small Boat Handling*

35

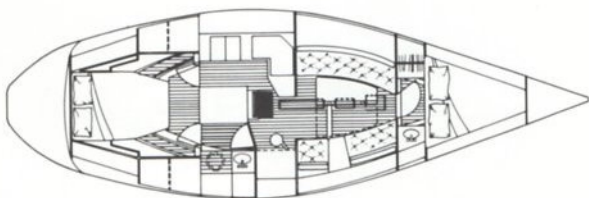
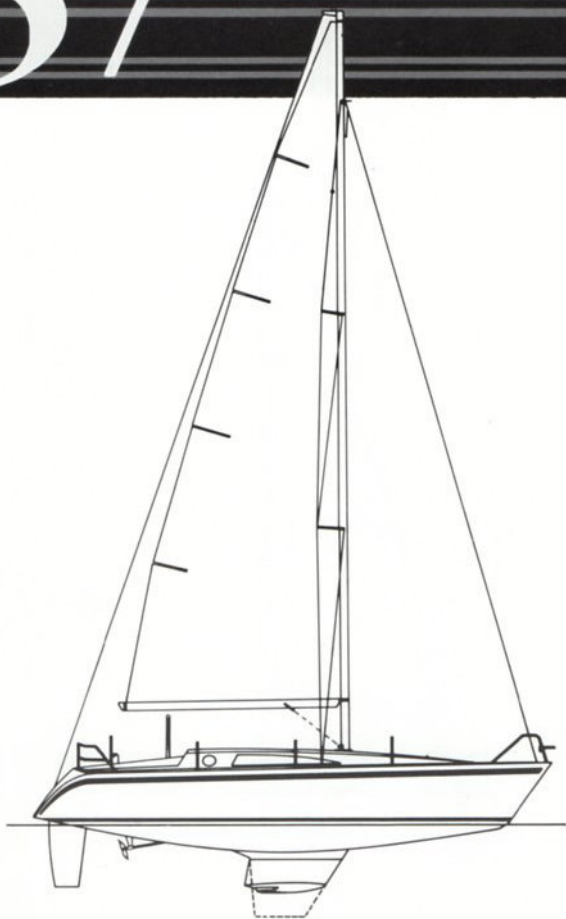


Specifications: (Preliminary)

L.O.A.	35'7"	10.84m.
L.W.L.	29'9"	9.07m.
Beam	11'9"	3.58m.
Draft: Shoal	4'6"	1.98m.
Deep	6'6"	1.37m.
Displacement: Shoal	12,300 lbs.	5535kg.
Deep	12,100 lbs.	5445kg.
Ballast: Shoal (Wing)	5100 lbs.	2313kg.
Deep	4900 lbs.	2223kg.
Headroom	6'2"	1.88m.
Mast ht. (FRDWL)	48'0"	14.62m.
Sail area (@ 100% foretriangle)	592.7 sq.ft.	51.1 sq.m.
E (Mainsail foot)	14'6"	4.42m.
J (Foretriangle base)	12'3"	3.73m.
P (Mainsail luff)	45'0"	13.72m.
I (Foretriangle ht.)	43'6"	13.26m.

Specifications subject to change without notice.
All measurements are approximate.

37



Specifications: (Preliminary)

L.O.A.	37'6"	11.46m.
L.W.L.	31'4"	9.55m.
Beam	12'10"	3.91m.
Draft: Shoal	4'9"	1.45m.
Deep	6'8"	2.03m.
Displacement: Shoal	13,900 lbs.	6255kg.
Deep	13,700 lbs.	6165kg.
Ballast: Shoal (Wing)	5900 lbs.	2655kg.
Deep	5700 lbs.	2588kg.
Headroom	6'3"	1.91m.
Mast ht. (FR DWL)	52'7"	16.03m.
Sail area (@ 100% foretriangle)	704 sq.ft.	65.45 sq.m.
E (Mainsail foot)	15'6"	4.72m.
J (Foretriangle base)	13'6"	4.11m.
P (Mainsail luff)	49'0"	14.94m.
I (Foretriangle ht.)	48'0"	14.63m.

Specifications subject to change without notice.
All measurements are approximate.

40

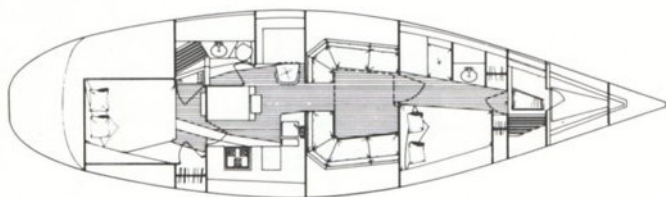
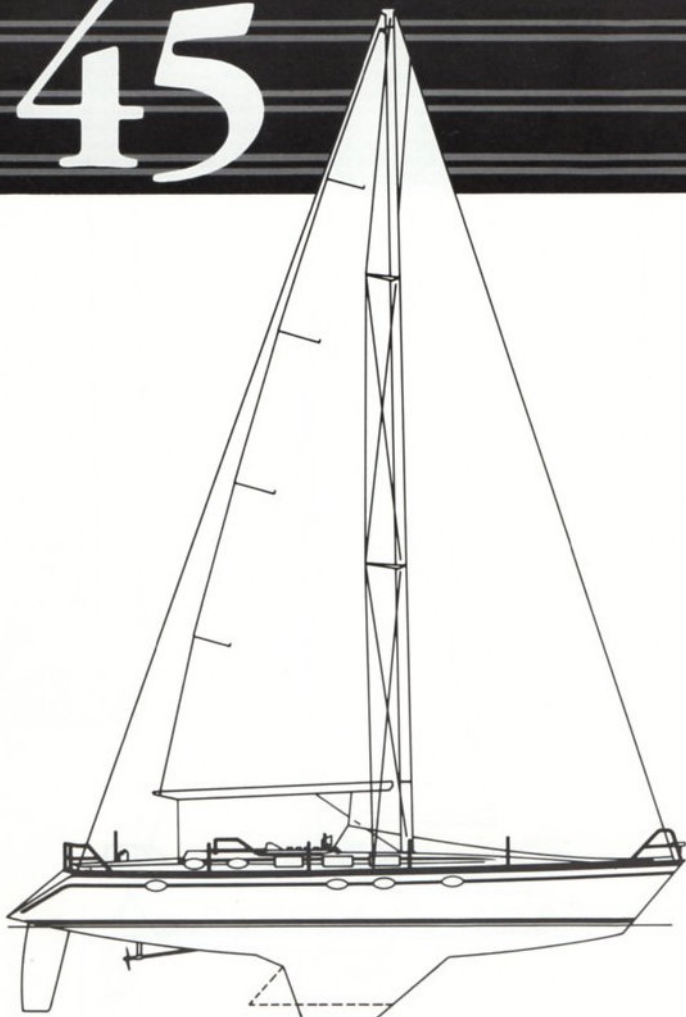


Specifications:

L.O.A.	39'7½"	12.08m.
L.W.L.	32'6"	7.16m.
Beam	13'5"	4.09m.
Draft: Shoal	5'0"	1.52m.
Deep	6'6"	1.98m.
Displacement: Shoal	17,900 lbs.	7946.2kg.
Deep	17,400 lbs.	7738.7kg.
Ballast: Shoal	8400 lbs.	3810.1kg.
Deep	7900 lbs.	3583.4kg.
Headroom	6'6"	1.98m.
Mast ht. (FR DWL)	58'6"	17.84m.
Sail area (@ 100% foretriangle)	787 sq.ft.	73.11 sq.m.
E (Mainsail foot)	13'9"	4.19m.
J (Foretriangle base)	17'0"	5.18m.
P (Mainsail luff)	48'0"	14.63m.
I (Foretriangle ht.)	53'9"	16.38m.

Specifications subject to change without notice.
All measurements are approximate.

45

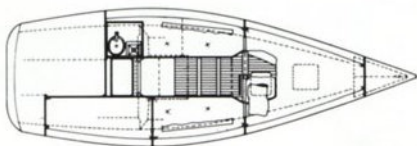


Specifications:

L.O.A.	46'8"	14.2m.
L.W.L.	39'7"	12.1m.
Beam	13'10"	4.22m.
Draft: Shoal	5'7"	1.71m.
Deep	6'6"	1.98m.
Displacement: Shoal	25,600 lbs.	11622.0kg.
Deep	25,300 lbs.	11486.0kg.
Ballast: Shoal	10,900 lbs.	4949.0kg.
Deep	10,600 lbs.	4812.0kg.
Headroom	6'6"	1.98m.
Mast ht. (FR DWL)	63'3"	19.31m.
Sail area (@ 100% foretriangle)	952 sq.ft.	88.5sq.m.
E (Mainsail foot)	16'5"	5.0m.
J (Foretriangle base)	17'10"	5.4m.
P (Mainsail luff)	51'9"	15.8m.
I (Foretriangle ht.)	58'10"	17.9m.

Specifications subject to change without notice.
All measurements are approximate.

23



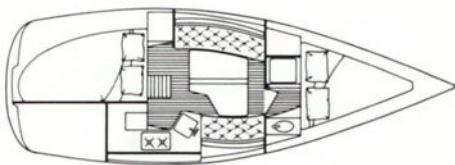
Specifications:

L.O.A.	23'3"	7.62m.
L.W.L.	19'7"	5.96m.
Beam	8'	2.43m.
Draft: Keel	2'3"	.685m.
Displacement	2450 lbs.	1112 kg.
Ballast (Wing)	800 lbs.	363.2 kg.
Headroom (with Seahood closed unlimited when open)	4'7"	1.40 m.
Mast ht. (FR DWL)	33'	10.06m.
Sail area (@ 100% foretriangle)	235.5 sq.ft.	21.90 sq.m.
E (Mainsail foot)	9'9"	2.97m.
J (Foretriangle base)	8'6"	2.59m.
P (Mainsail luff)	25'8"	7.82m.
I (Foretriangle ht.)	26'0"	7.92m.

Specifications subject to change without notice.

All measurements approximate.

26.5



Specifications: (Preliminary)

L.O.A.	26'7"	8.13m.
L.W.L.	22'5"	6.80m.
Beam	9'0"	2.74m.
Draft	3'6"	1.07m.
Displacement	4400 lbs.	1996 kg.
Ballast (Wing)	1800 lbs.	816 kg.
Headroom: (with Seahood closed, unlimited when open)	5'6"	1.68m.
Mast ht. (FR DWL)	37'9"	11.49m.
Sail area (@ 100% foretriangle)	303.3 sq.ft.	28.2 sq.m.
E (Mainsail foot)	10'6"	3.20m.
J (Foretriangle base)	9'6"	2.89m.
P (Mainsail luff)	29'6"	8.99m.
I (Foretriangle ht.)	31'3"	9.52m.

Specifications subject to change without notice.
All measurements approximate.

28.5



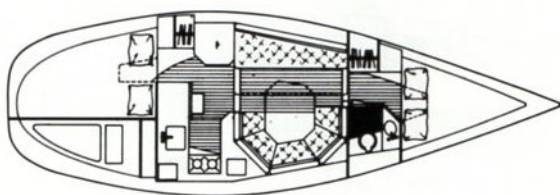
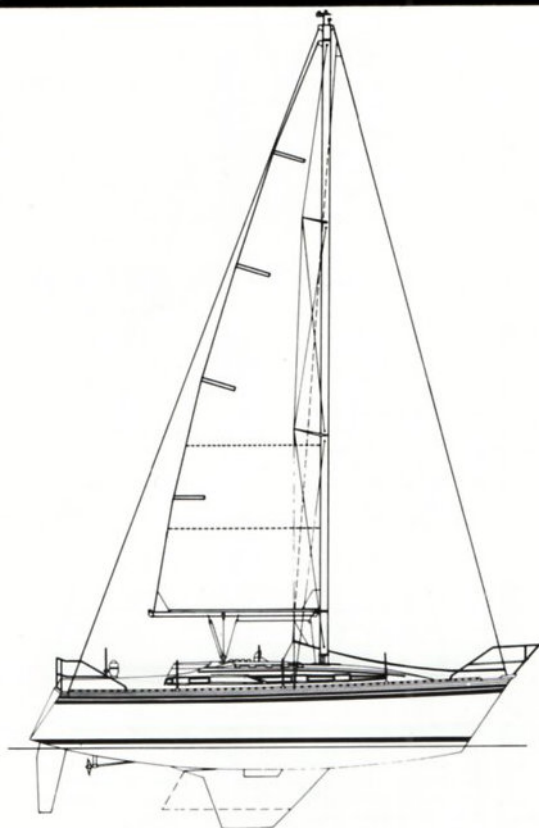
Specifications:

L.O.A.	28'5"	8.66m.
L.W.L.	23'9"	7.24m.
Beam	10'6"	3.20m.
Draft: Shoal	4'0"	1.21m.
Deep	5'2"	1.57m.
Displacement: Shoal	7100 lbs.	3220.5kg.
Deep	7000 lbs.	3175.1kg.
Ballast: Shoal	3100 lbs.	1406.1kg.
Deep	3000 lbs.	1360.7kg.
Headroom	6'2"	1.87m.
Mast ht. (FR DWL)	41'3"	12.57m.
Sail area (@ 100% foretriangle)	398 sq.ft.	36.97 sq.m.
E (Mainsail foot)	10'10"	3.30m.
J (Foretriangle base)	12'1"	3.68m.
P (Mainsail luff)	31'9"	9.68m.
I (Foretriangle ht.)	37'4"	11.38m.

Specifications subject to change without notice.

All measurements are approximate.

31



Specifications:

L.O.A.	31'4"	9.55m.
L.W.L.	26'3"	8.00m.
Beam	10'11"	3.33m.
Draft: Shoal	4'0"	1.22m.
Deep	5'6"	1.68m.
Displacement: Shoal	9900 lbs.	4494.6kg.
Deep	9700 lbs.	4403.8kg.
Ballast: Shoal	4200 lbs.	1906.8kg.
Deep	4000 lbs.	1816kg.
Headroom	6'3"	1.90m.
Mast ht. (FR DWL)	47'4"	14.43m.
Sail area (@ 100% foretriangle)	458 sq.ft.	42.55 sq.m.
E (Mainsail foot)	11'0"	3.35m.
J (Foretriangle base)	12'0"	3.66m.
P (Mainsail luff)	37'5"	11.40m.
I (Foretriangle ht.)	42'0"	12.80m.

Specifications subject to change without notice.
All measurements are approximate.

UISE PAC[®]

The most complete standard equipment list available.



HUNTER

