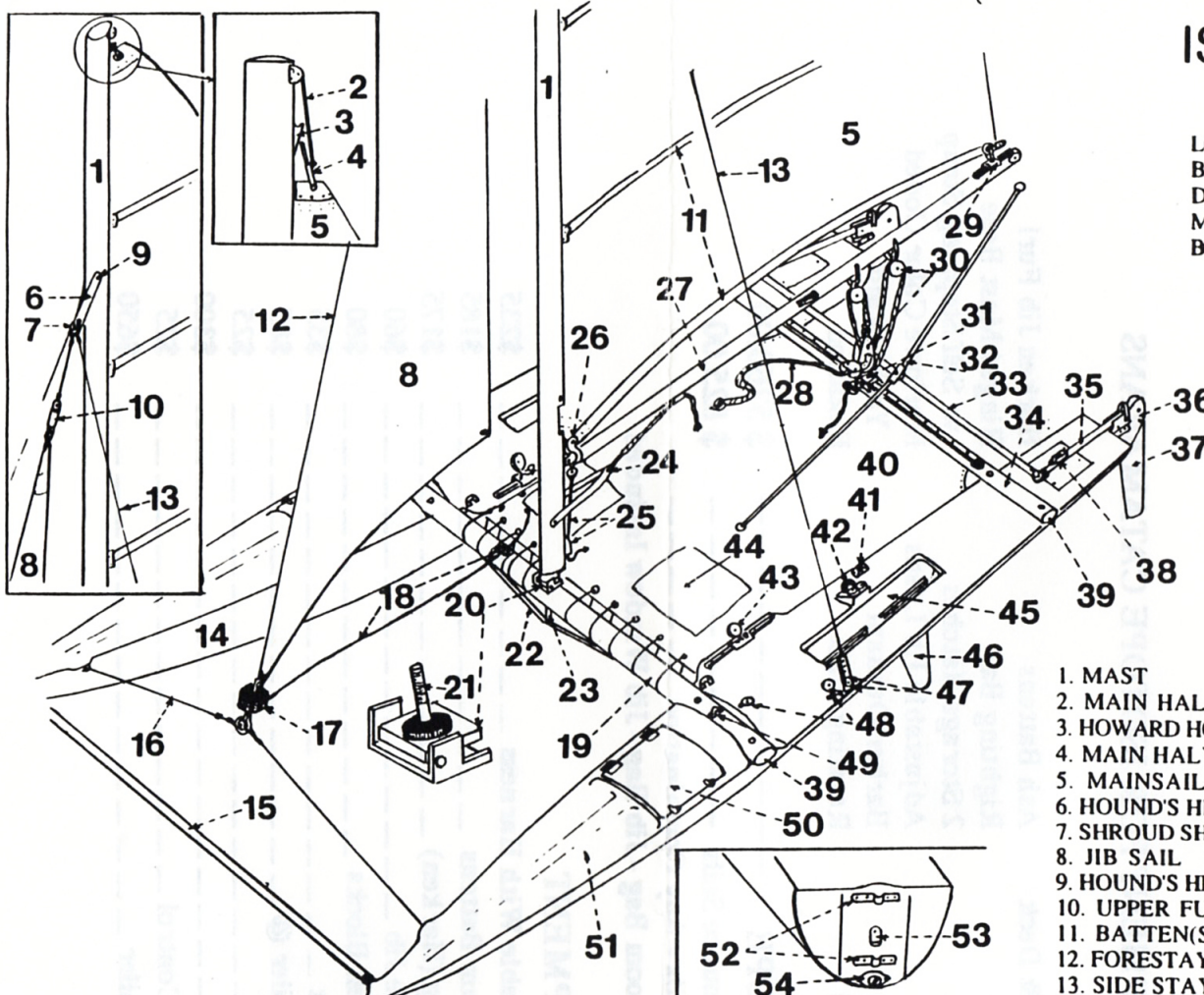


ISOTOPE SPECIFICATIONS

LOA 16'
 BEAM 7' 4"
 DRAFT 6" to 2'6"
 MAST 26'
 BOOM 8' 6"

JIB SAIL 45 sq. ft.
 MAIN SAIL 140 sq. ft.
 SAIL AREA 185 sq. ft.
 WEIGHT 275lbs. all up
 CREW 1 up to 4 adults



- 1. MAST
- 2. MAIN HALYARD
- 3. HOWARD HOOK
- 4. MAIN HALYARD SHACKLE
- 5. MAINSAIL
- 6. HOUND'S HEAD
- 7. SHROUD SHACKLE
- 8. JIB SAIL
- 9. HOUND'S HEAD BOLT
- 10. UPPER FURLING DRUM
- 11. BATTEN(S)
- 12. FORESTAY
- 13. SIDE STAY
- 14. HULL
- 15. COMPRESSION BAR
- 16. JIB SADDLE
- 17. LOWER FURLING DRUM
- 18. JIB FURLING LINE
- 19. FRONT CROSSARM
- 20. MAST PLATE
- 21. MAST STEP BOLT
- 22. DOLPHIN STRIKER
- 23. DOLPHIN STRIKER POST
- 24. MAST ROTATION CONTROL
- 25. DOWN HAUL
- 26. GOOSENECK
- 27. BOOM
- 28. MAINSHEET
- 29. OUTHAUL
- 30. MAINSHEET BLOCKS
- 31. MAIN TRAVELLER
- 32. TILLER EXTENSION
- 33. SHROUD SHACKLE
- 34. REAR CROSSARM
- 35. TILLER ARM
- 36. RUDDER HEAD
- 37. RUDDER BLADE
- 38. REAR HATCH
- 39. CROSSARM ENDCAP
- 40. TRAMPOLINE
- 41. BARBOUR OUTHAUL CLEAT
- 42. JIB CLEAT
- 43. JIB LEAD BLOCK
- 44. TRAMPOLINE POCKET
- 45. CENTERBOARD WELL
- 46. CENTERBOARD
- 47. SHROUD ADJUSTER & CHAINPLATE
- 48. BARBOUR OUTHAUL BLOCKS
- 49. SELF-STEPPING STRAP
- 50. FRONT HATCH
- 51. DECK
- 52. RUDDER GUDGEONS
- 53. RUDDER STOP
- 54. DRAIN PLUG

Whether Sailing
 for fun...
 Or Racing to Win...



I.F.G. 2212 S. MIAMI BLVD.
 DURHAM, N.C. 27703
 919-596-2887