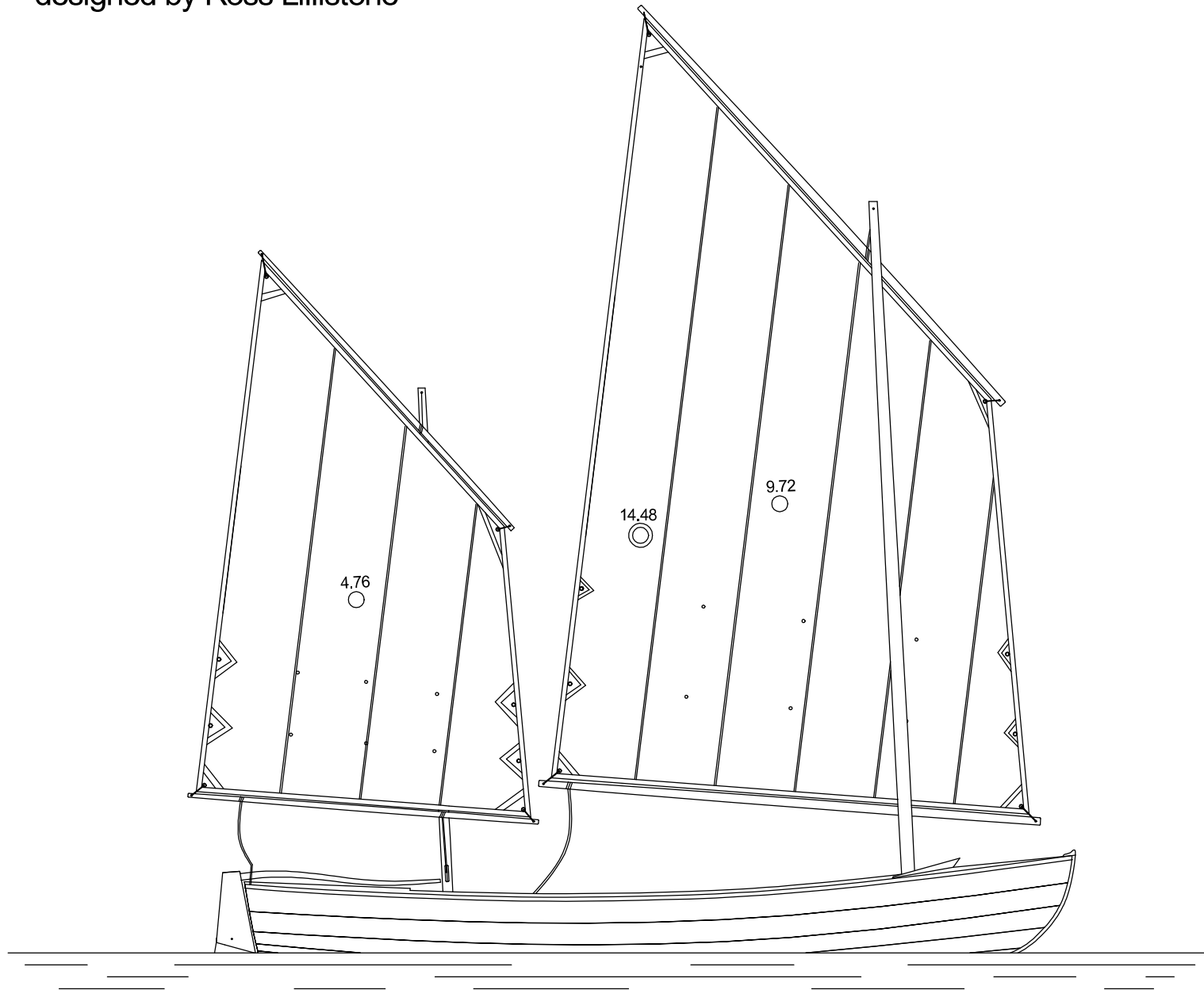
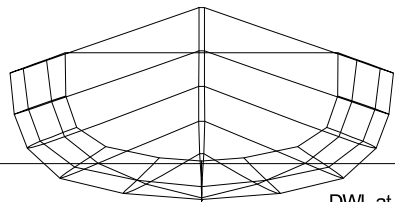
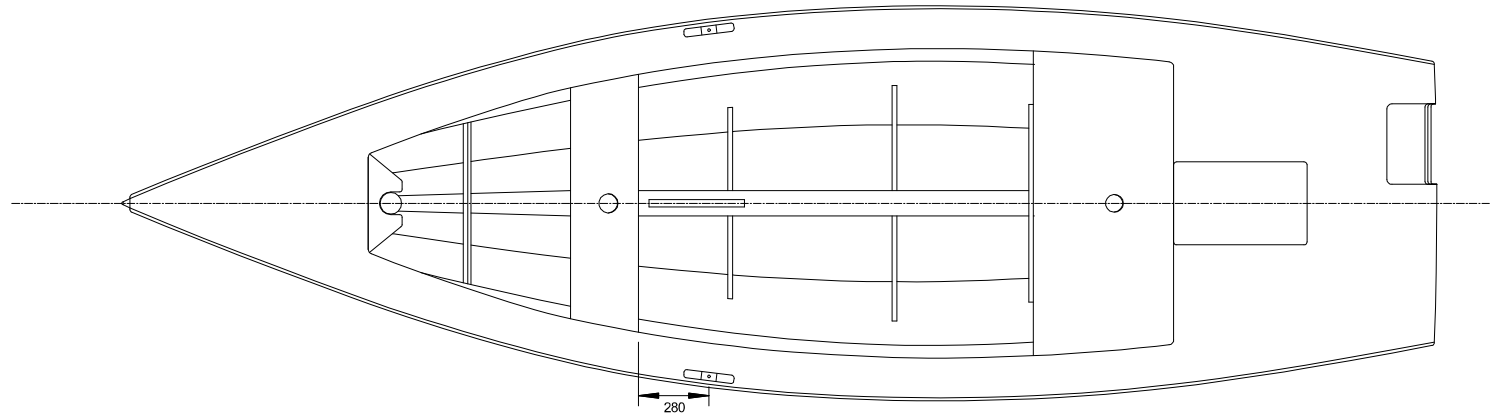


Periwinkle - a 17' 1-1/2" x 5' 1-3/4" boat for sail, oars, and small outboard

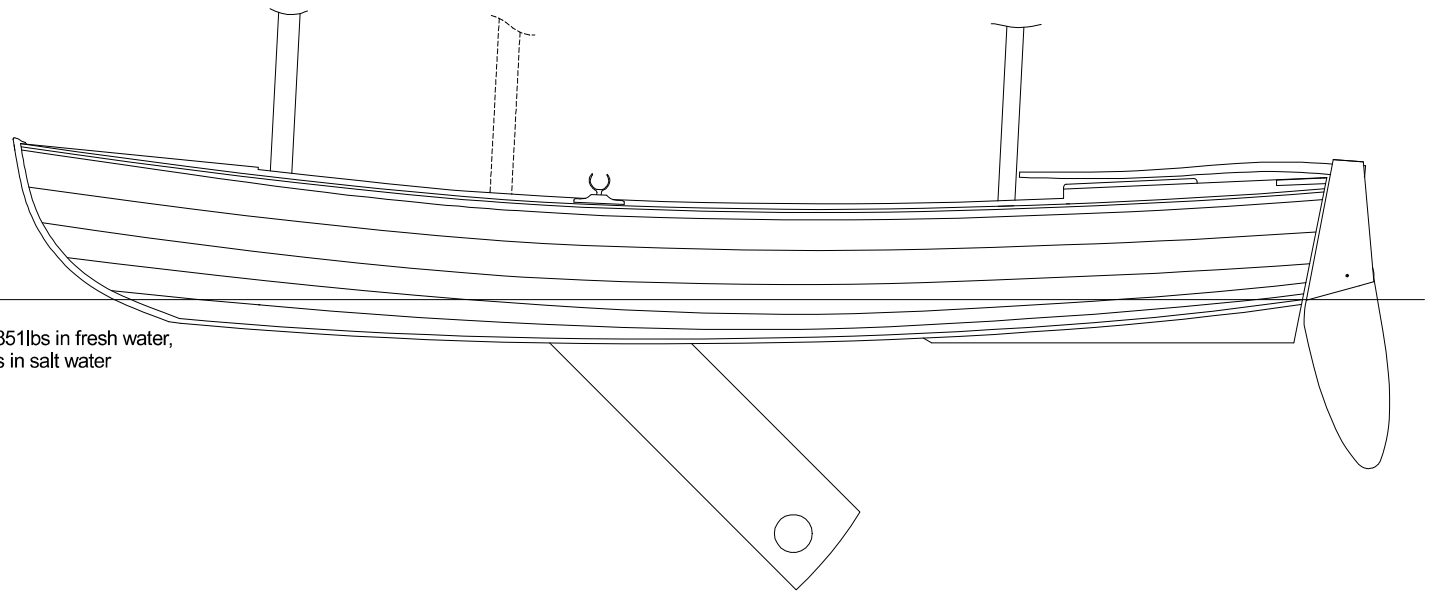
designed by Ross Lillistone



This design remains the property of
Ross Lillistone.
All rights reserved. Purchase of plans from
the designer authorises the building of one boat
to this design.

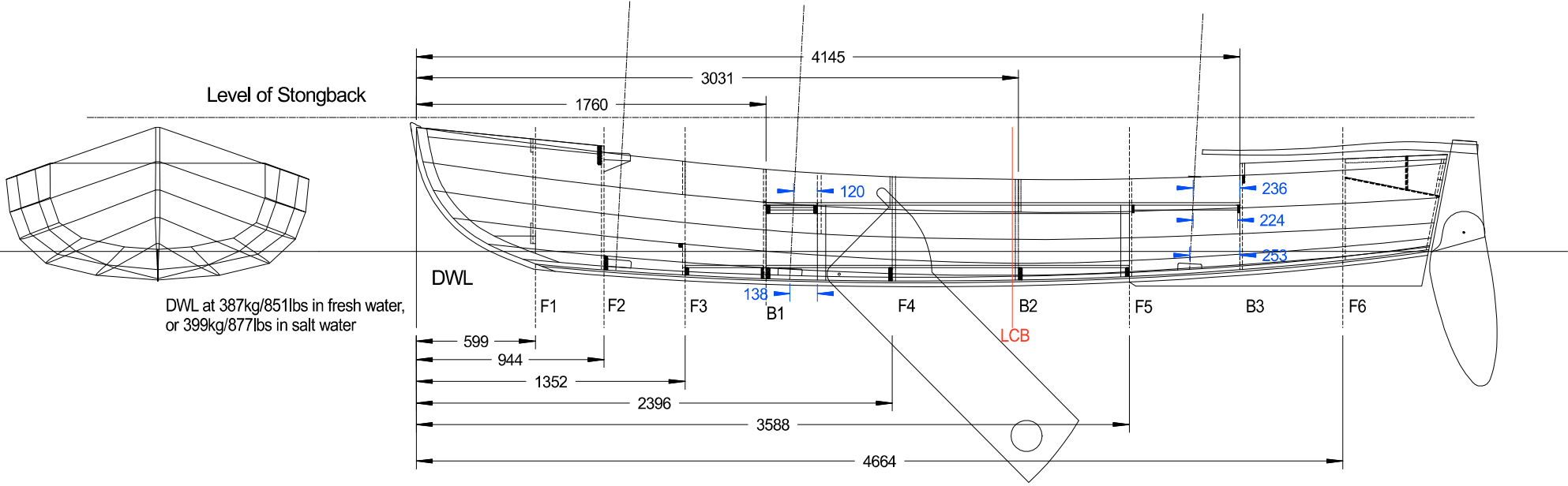
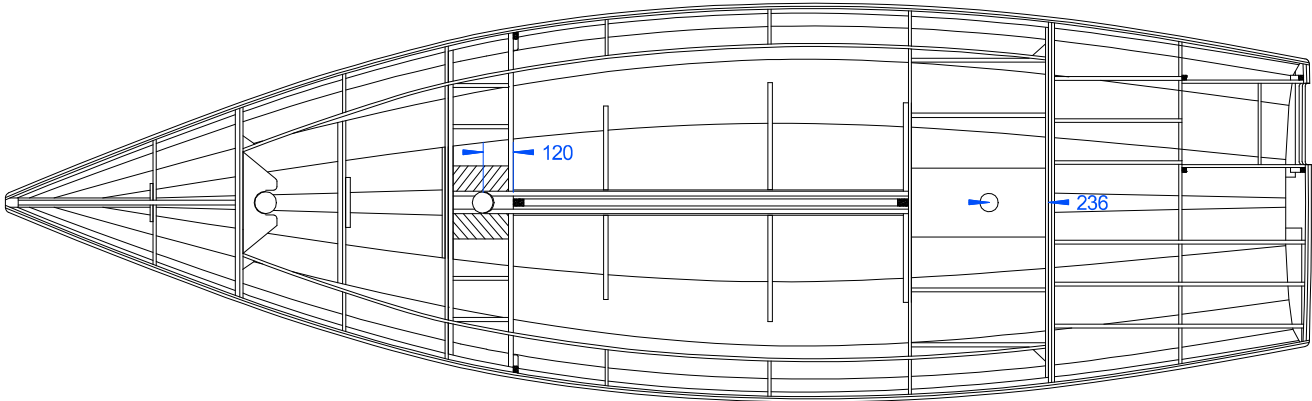


DWL at 387kg/851lbs in fresh water,
or 399kg/877lbs in salt water



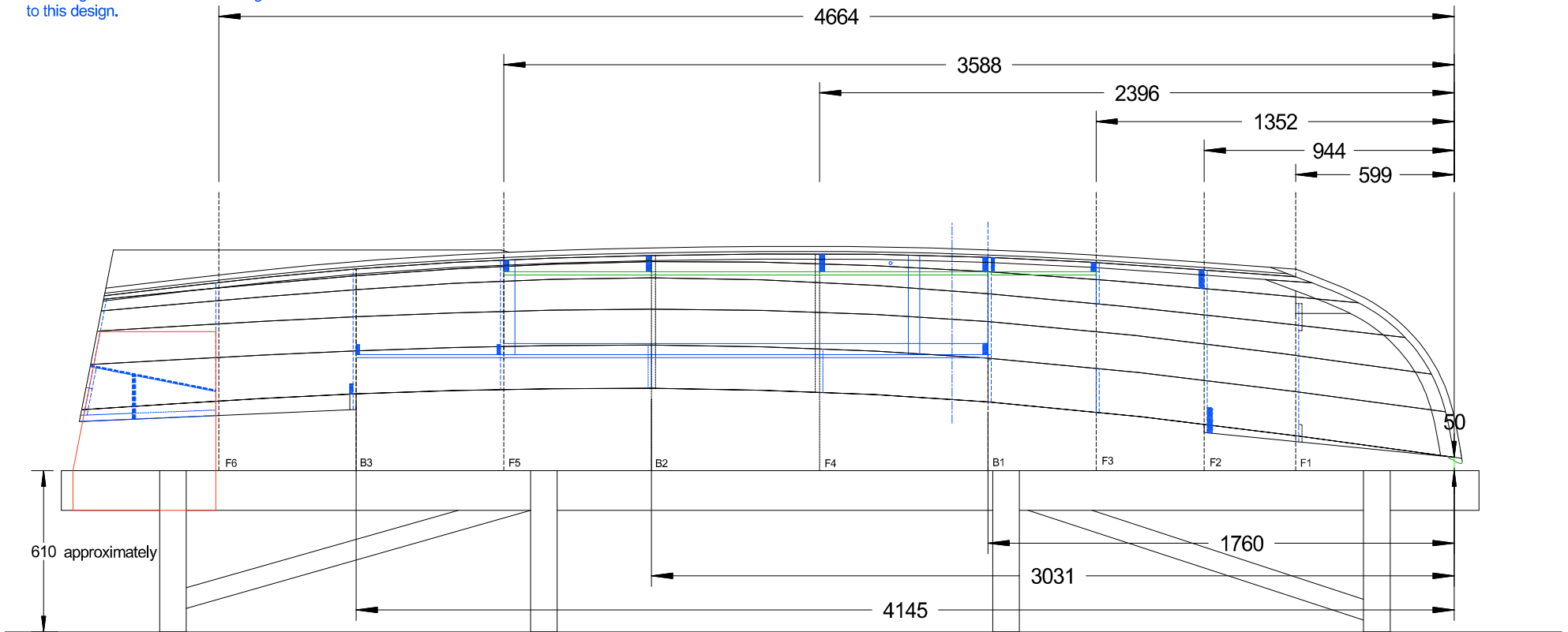
Periwinkle - Outboard Profile
17ft x 5ft

This design remains the property of
 Ross Lillistone.
 All rights reserved. Purchase of plans from
 the designer authorises the building of one boat
 to this design.

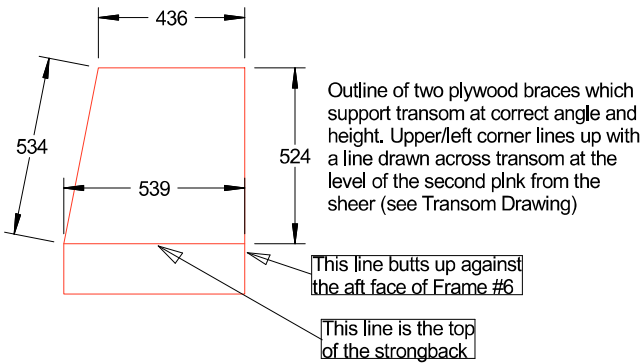


Periwinkle - Inboard Profile
 17ft x 5ft

This design remains the property of Ross Lillistone. All rights reserved. Purchase of plans from the designer authorises the building of one boat to this design.



Strongback set on legs to be about 610mm/2ft above the floor at the upper surface. Width of strongback not critical - I suggest about 610mm/2ft as a minimum. Attach frames, molds, and bulkheads to cross-spalls at the height noted on the drawings for each section. Cross-spall dimensions not critical - I use roughly 70mm x 35mm or 2-3/4" x 1-1/2" standard house stud material, or similar - vary to taste and availability.

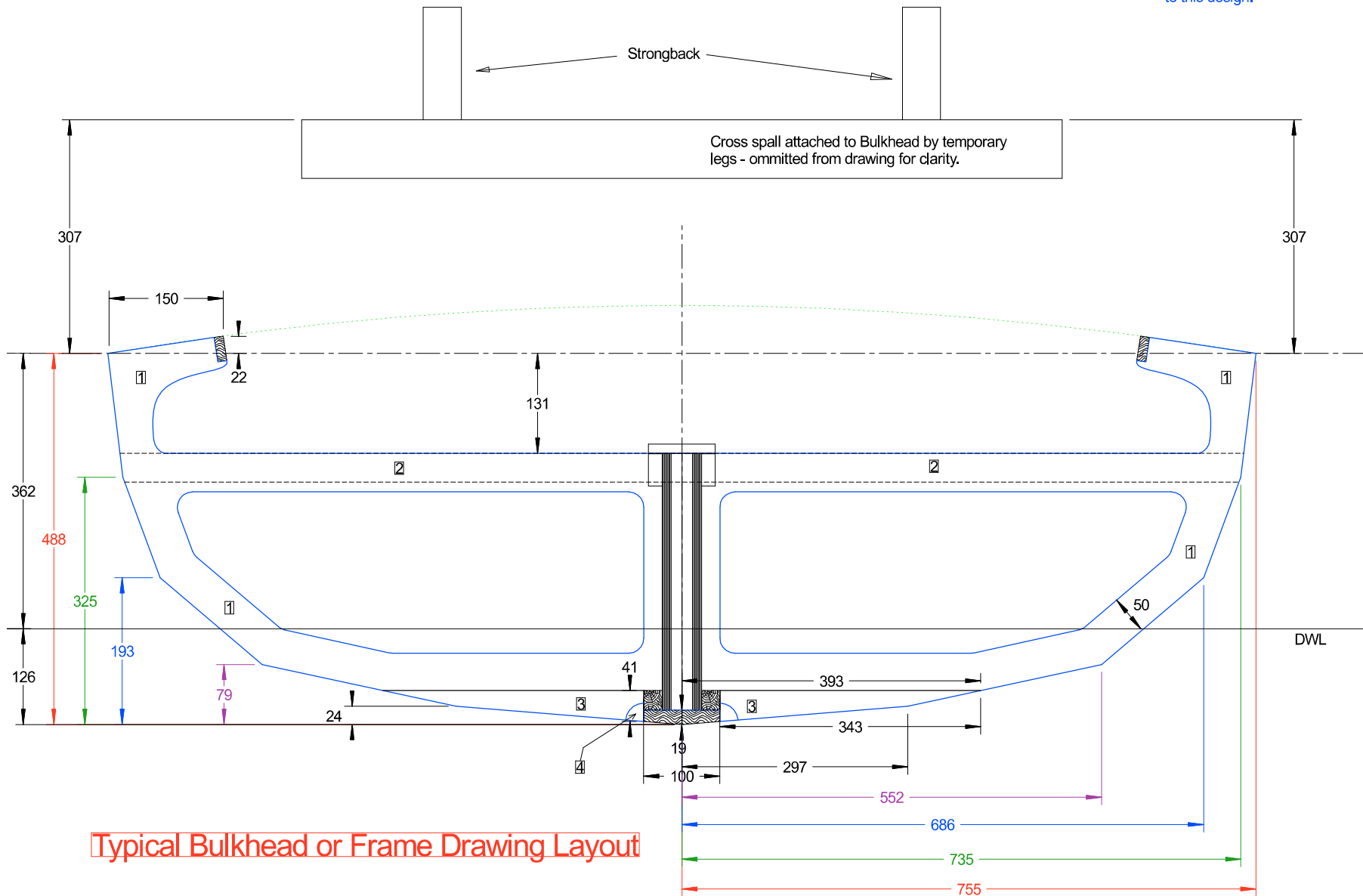


Periwinkle- Strongback

1. Frame 5 from 12mm/1/2" plywood to the blue lines shown. May be made up from several pieces joined together with butt-straps to save material.
2. 38mm x 12mm (1-1/2" x 1/2") cross piece glued to aft face of frame.
3. Floor timbers from 19mm/3/4" timber. Glued to for'd face of frame and butted up against centreboard case bed-logs and keelson.
4. Limber holes for drainage - 24mm (1") radius or more.

NOTE: Centreboard case (in black) shown for illustration purposes only

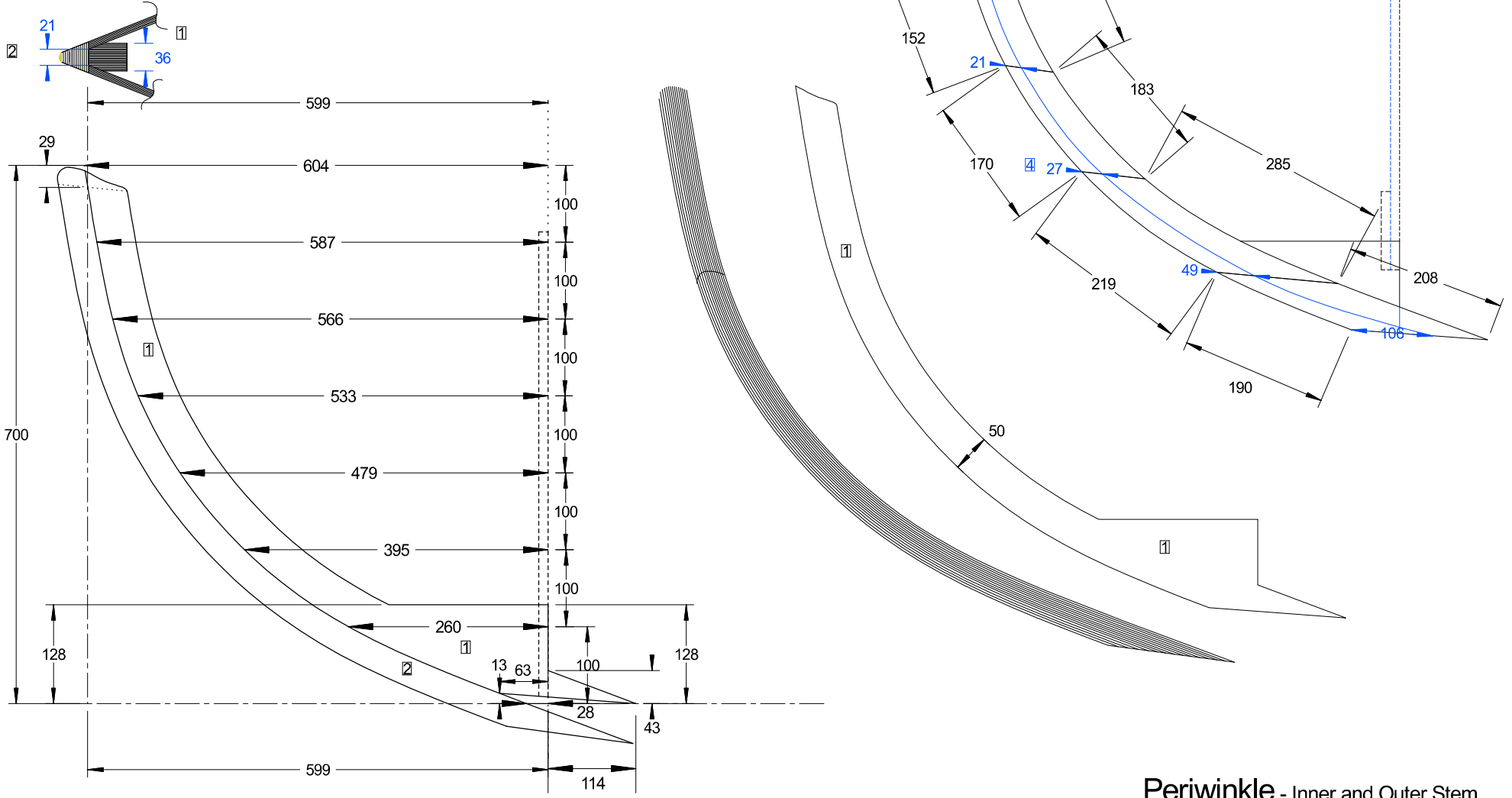
This design remains the property of Ross Lillistone. All rights reserved. Purchase of plans from the designer authorises the building of one boat to this design.



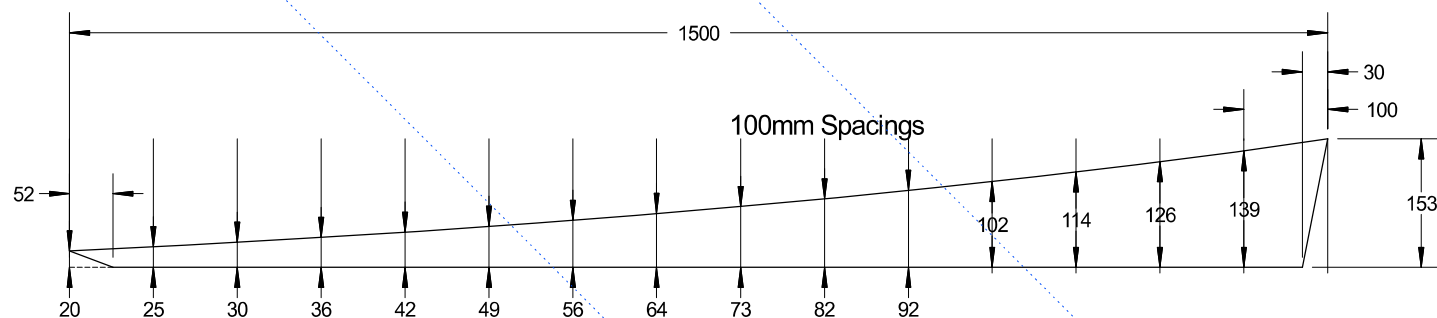
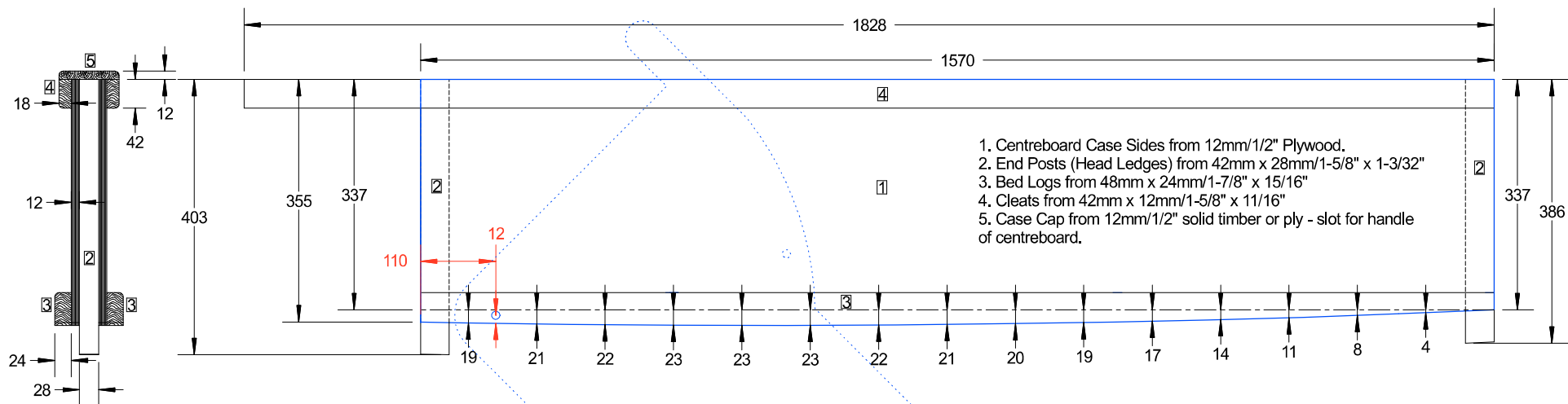
Typical Bulkhead or Frame Drawing Layout

1. Stem made from 3 laminations of 12mm/1/2" plywood (or 6 laminations of 6mm/1/4" plywood) to finish sided 36mm/1-1/2". Molded dimension approximately 50mm/2", except for base which must be accurately to the dimensions shown at the bottom of the left-hand drawing.
2. Outer stem laminated over the outside of the stem and planking after the hull has been completed. Make from 3mm/1/8" strips of timber to finish up about 37mm/1-1/2" molded (fore-and-aft) dimension. Make strips wider than necessary and mark actual width by tracing either side of planking.
3. Black dimensions show the approximate locations of the upper edges of planks. Test actual location by running a batten and using your eye to determine fairness.
4. Blue dimensions indicate approximate bevel line for an inner stem of 36mm/1-7/16" siding (width) and a face width of 21mm/7/8".

This design remains the property of Ross Lillistone. All rights reserved. Purchase of plans from the designer authorises the building of one boat to this design.



Periwinkle - Inner and Outer Stem



Skeg from two laminations of 12mm/1/2" plywood or good quality hardwood to finish 24mm/1" in thickness. Thickness can be increased to 37mm/1-1/2" for greater strength and increased bearing area on trailer rollers if preferred. I used two laminations of hardwood with a layer of 400gsm/12oz glass cloth in-between to prevent splitting of the natural timber. This would not be required with plywood, but plywood is vulnerable to edge-grain damage.

This design remains the property of Ross Lillistone. All rights reserved. Purchase of plans from the designer authorises the building of one boat to this design.

Periwinkle - Centreboard Case and Skeg

This design remains the property of Ross Lillistone.
 All rights reserved. Purchase of plans from the designer authorises the building of one boat to this design.

Mainsail

Luff 2200mm (86-5/8")
 Leech 5008mm (197-3/16")
 Head 3453mm (135-15/16")
 Foot 3774mm (148-9/16")
 Peak to Tack 5501mm (216-6/16")

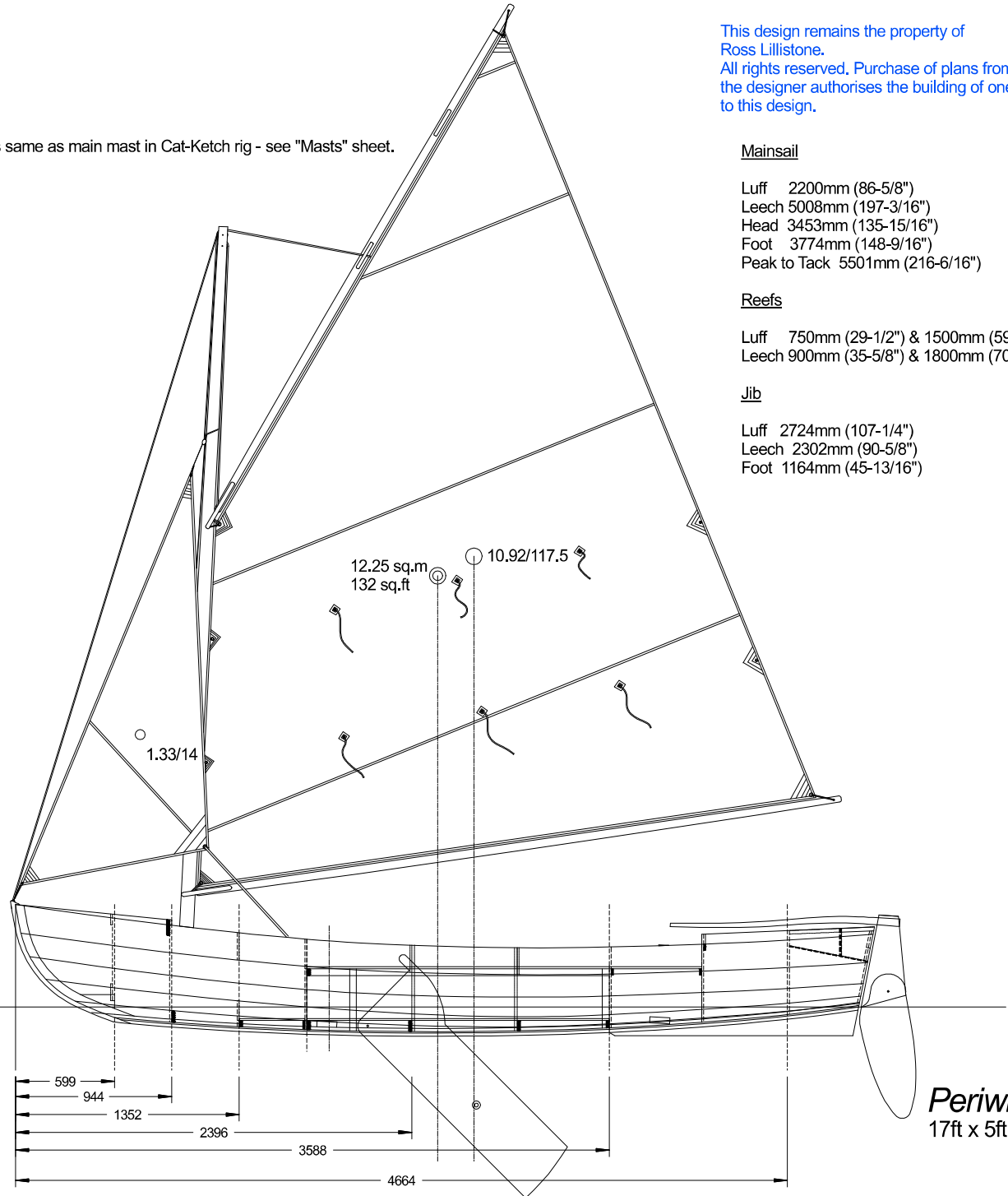
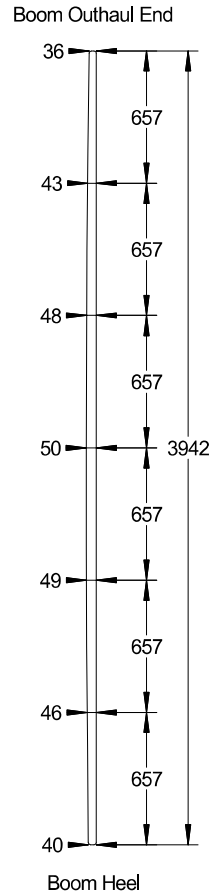
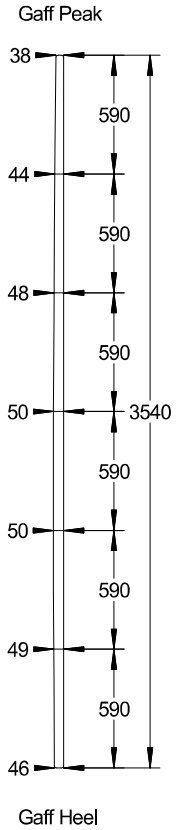
Reefs

Luff 750mm (29-1/2") & 1500mm (59-1/16")
 Leech 900mm (35-5/8") & 1800mm (70-7/8")

Jib

Luff 2724mm (107-1/4")
 Leech 2302mm (90-5/8")
 Foot 1164mm (45-13/16")

Mast is same as main mast in Cat-Ketch rig - see "Masts" sheet.



Periwinkle
 17ft x 5ft



critical dimensions required for the setting up of the strongback. Within the limitations set by these dimensions, you can use your own judgment about the construction of the strongback.

In the case of the molds, I would attach temporary legs to the structure and extend them down to the strongback.

The strongback should be as level as possible, although minor variations can be corrected by shimming the molds and bulkheads during the set up.



It is essential that you have an accurate centreline from which to work. I normally run a string-line along the full length of the strongback, just below the level of the cross spalls on the molds and bulkheads



When making the bulkheads (i.e. those sectional shapes which remain in the boat after construction, unlike the molds, which are removed after the hull is planked), I suggest attaching temporary legs to the bulkheads with a temporary cross member attached to the legs. Use your imagination in choosing a system – all that matters is that the component be accurately and firmly located above the strongback.



Dimensions shown on page *Periwinkle Strongback* of the plans will provide the

The final dimension which needs to be determined is the longitudinal centreline.